

# Quick Start Guide

Nikon Film Scanner  
SUPER COOLSCAN 9000 ED

If you need help:

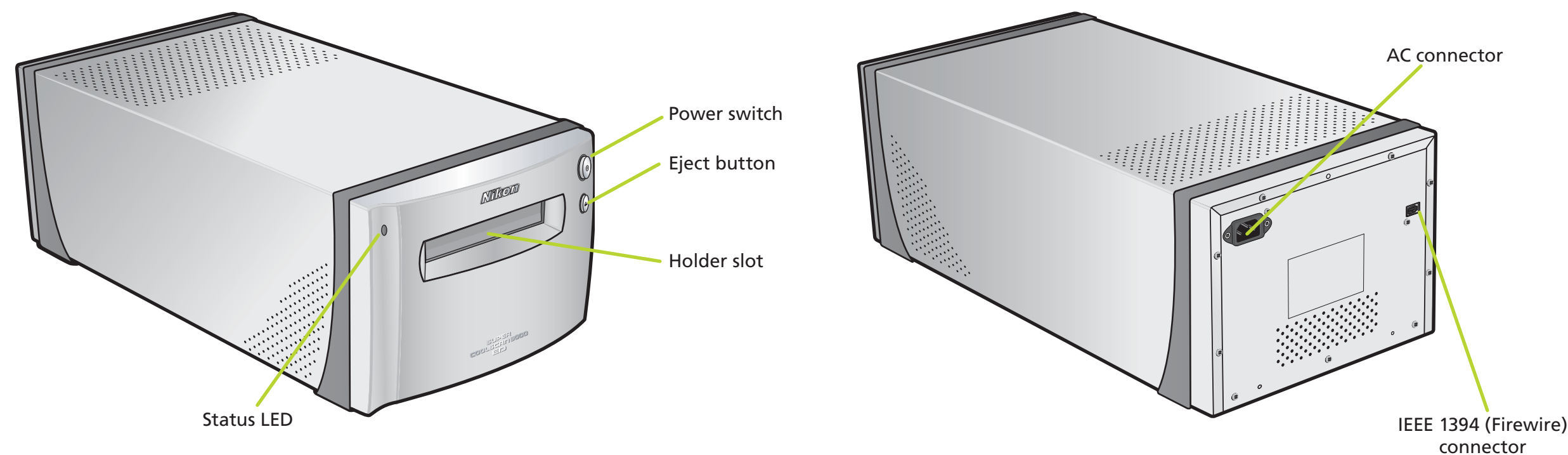
- Visit <http://www.nikontechusa.com/> or call 1-800-NikonUX (for users in the U.S.A.)
- Visit <http://www.europe-nikon.com/support> (for users in Europe and Africa)
- Visit <http://www.nikon-asia.com/> (for users in Asia, Oceania and the Middle East)

Visit these sites to keep up-to-date with the latest product information, tips, answers to frequently-asked questions (FAQs), and general advice on digital imaging and photography.



If the computer is not already equipped with an IEEE 1394 (Firewire) interface, install the supplied IEEE 1394 interface board. Before Nikon Scan can be installed, users of Windows 98 SE will need to update the IEEE 1394 drivers, install the interface board, and then install the IEEE 1394 interface drivers. For more information, see "Installing the IEEE 1394 (Firewire) Interface Board" on page 64 of the *User's Manual*.

## Parts of the Scanner

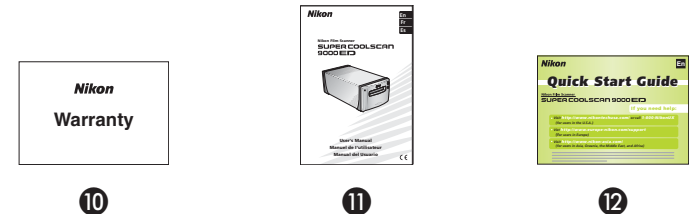
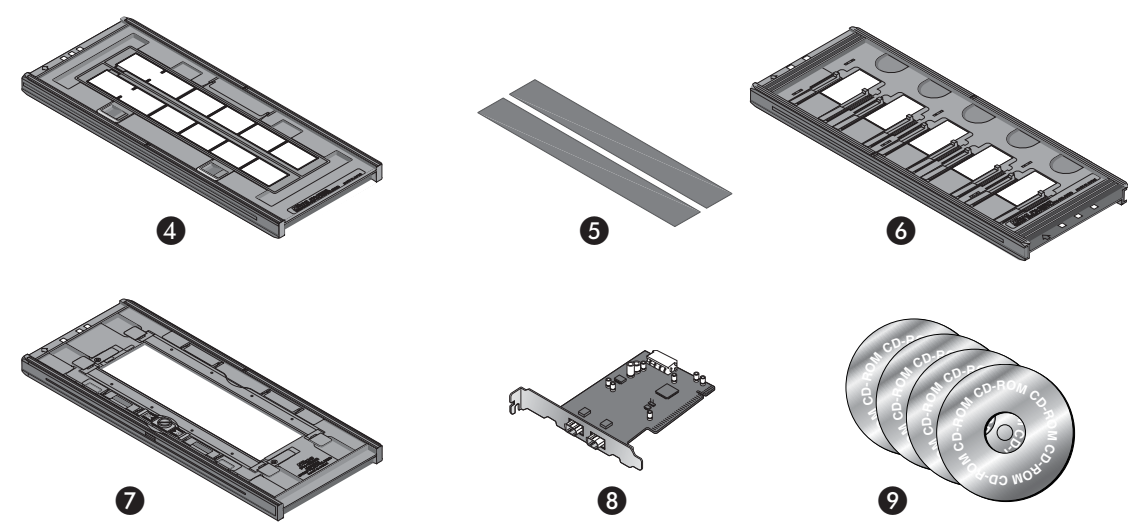
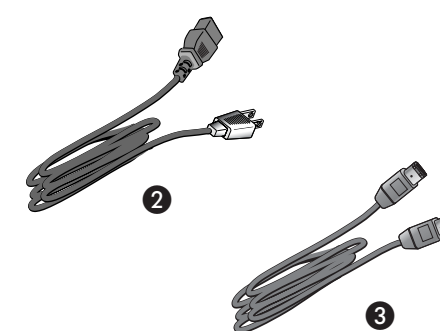
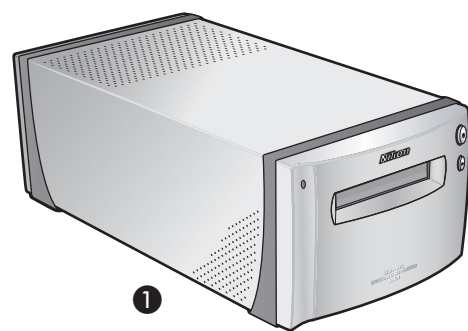


## Preparation

### Step 1 Check the package contents

Remove the scanner from the box and confirm that you have all the items listed below.

- 1 SUPER COOLSCAN 9000 ED film scanner
- 2 Power cable
- 3 IEEE 1394 (Firewire) cable
- 4 FH-835S 35-mm strip-film holder
- 5 Masking sheets (x2)
- 6 FH-835M 35-mm slide-mount holder
- 7 FH-869S medium-format strip film holder
- 8 IEEE 1394 (Firewire) interface board
- 9 CD-ROM
  - Nikon Scan CD (Yellow)
  - Nikon Scan Reference Manual / Easy Scanning Guide CD
  - Nikon View CD (Yellow)
  - Nikon View Reference Manual CD
- 10 Warranty
- 11 *User's Manual*
- 12 *Quick Start Guide* (this guide)



### Step 2 Install Nikon Scan

Before connecting the scanner, install Nikon Scan as described below.

#### Supported operating systems

- |           |  |
|-----------|--|
| Windows   | <ul style="list-style-type: none"> <li>• Windows XP Home Edition/Professional</li> <li>• Windows 2000 Professional</li> <li>• Windows Millennium Edition (Me)</li> <li>• Windows 98 Second Edition (SE)</li> </ul> |
| Macintosh | <ul style="list-style-type: none"> <li>• Mac OS X (version 10.1.5 or later)</li> <li>• Mac OS 9 (version 9.1 or later)</li> </ul>  |

Other system requirements are detailed on page 10 (Windows), 15 (Macintosh) of the *User's Manual*.

Continued above at right

## Windows

**a** Turn the computer on and wait for Windows to start up. Do not connect the scanner.

**Important** Windows XP Home Edition/Windows XP Professional/Windows 2000 Professional  
When installing or uninstalling Nikon Scan, log in as the "Computer administrator" (Windows XP Home Edition/Windows XP Professional) or "Administrator" (Windows 2000 Professional).

**Important** Earlier Versions of Nikon Scan  
Before installing Nikon Scan 4, uninstall any earlier versions of Nikon Scan. See "Uninstalling Nikon Scan" on pages 70–72 of the *User's Manual*.

**b** Insert the Nikon Scan CD in the CD-ROM drive. After a brief pause, a language selection dialog will be displayed. Select a language and click **Next**.

**c** The "Welcome" dialog will be displayed. Click the "Software" tab and click **Install**.

**d** The opening dialog of the Nikon Scan installer will be displayed. Click **Next**.

**e** After reading the license agreement, click **Yes** to accept the agreement and proceed with installation.

**f** The default install location for Nikon Scan (C:\Program Files\Nikon\Nkscan4) is displayed under "Destination location." To choose a different location, click **Browse...** and navigate to the desired folder. Click **Next** to begin installation.

The dialog shown at right will be displayed. Click **Yes** to create the destination folder for Nikon Scan.

**g** When prompted to select the scanner drivers, confirm that **LS-4000/8000/9000** is selected and click **Next**.

**Note** Windows 2000 Professional  
The dialog shown at right will be displayed; click **Yes** (if the dialog is displayed twice, click **Yes** each time).

**h** Click **Yes** to create a shortcut to Nikon Scan on the desktop.

**Note** Associating Image Enhancement Extensions with Nikon Scan  
If Nikon Capture or other Nikon software is already installed on the computer, a dialog will be displayed requesting permission to associate image enhancement settings file extensions with Nikon Scan. Click **Yes**.

Continued above at right

**i** The opening dialog of the color space selection wizard will be displayed. Click **Use Wizard**.

**j** Click **Windows**.

**k** A list of color-space profiles will be displayed. Select **sRGB** (recommended) and click **OK**. For more information on color-space profiles, see page 88 of the *Nikon Scan Reference Manual* (on CD).

**Important** Windows 98 SE  
If the computer displays a message stating that an IEEE 1394 update is required, click **OK** to continue with installation. Once installation is complete and the computer has restarted, update the IEEE 1394 drivers as described on page 65 of the *User's Manual*.

**l** Click **Finish** to exit the Nikon Scan installer.

**m** Click **Yes** to restart the computer.

## Macintosh

**a** Turn on the computer and wait for it to start up. Do not connect the scanner.

**Important** Mac OS X  
Administrator privileges are required to install or uninstall Nikon Scan.

**Important** Mac OS 9  
CarbonLib 1.6 or later is required to install Nikon Scan 4. If the installer detects an earlier version, a message will be displayed. Click **Install** to upgrade to a new version of CarbonLib. Be sure to restart the computer before continuing the installation.

**b** Insert the Nikon Scan 4 CD in the CD-ROM drive. Double-click the Welcome icon (👤) in the root directory of the Nikon Scan 4 CD.

**c** A language selection dialog will be displayed. Select a language and click **Next**.

**d** The "Welcome" dialog will be displayed. Click the "Software" tab and click **Easy Install**.

**Note** Mac OS X  
Clicking **Install** displays the "Authenticate" dialog shown at right. Enter the administrator name and password and click **OK**.

Continued above at right

**e** After reading the license agreement, click **Accept** to accept the agreement and view the ReadMe file. Take a few moments to read this file, which may contain important information that could not be included in the product manuals. Click **Continue...** to proceed to the next step.

**f** Click **Install** to begin installation. Nikon Scan 4 will be installed to the folder shown under "Install Location." In Mac OS X, Nikon Scan 4 is installed to the "Applications:Nikon Software" folder on the start-up disk. The default install location for Mac OS 9 is the "Applications (Mac OS 9):Nikon Software" folder on the OS 9 start-up disk.

**Note** If Multiple Copies of Photoshop Are Installed (Mac OS 9 Only)  
If a copy of the Nikon Scan plug-in is installed in the plug-ins folders for supported versions of Adobe Photoshop, Photoshop can be used to acquire images directly from the scanner. If more than one copy of Photoshop is installed on the computer, a list of plug-ins folders will be displayed. Select the plug-ins folders for the copies of Photoshop that will be used to acquire images and click **Continue** to copy the Nikon Scan plug-in to the selected folders.

**g** The opening dialog of the color space selection wizard will be displayed. Click **Use Wizard**.

**h** Click **Macintosh**.

**i** A list of color-space profiles will be displayed. Select **Apple RGB** (recommended) and click **OK**. For more information on color-space profiles, see page 90 of the *Nikon Scan Reference Manual* (on CD).

**j** Click **Yes** to add Nikon Scan 4 to the Dock (Mac OS X) or create an alias of Nikon Scan 4 on the desktop (Mac OS 9).

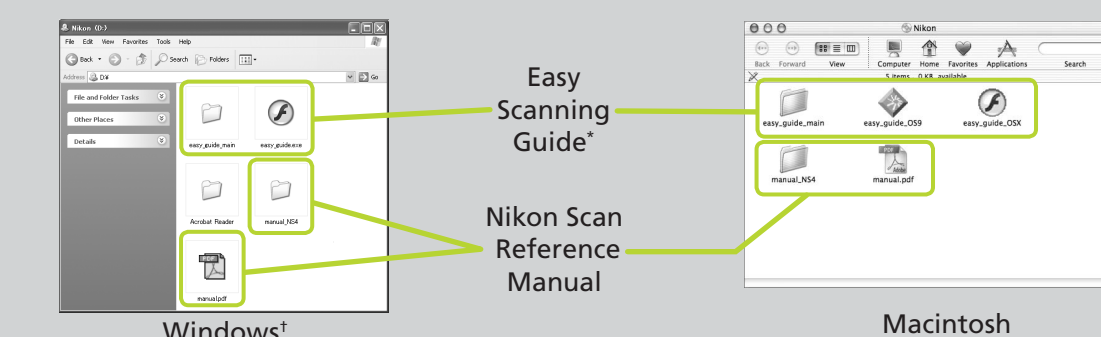
**k** Click **Quit** to exit the installer.

**l** Click **Restart** to restart the computer.

See Other Side

## Nikon Scan Reference Manual / Easy Scanning Guide CD

This CD contains the *Nikon Scan Reference Manual*, which provides complete information on Nikon Scan, and the *Easy Scanning Guide*, an animated guide introducing such basic scanning tasks as setting image size and resolution.



- **Viewing the Nikon Scan Reference Manual**  
Double-click the *manual.pdf* icon on the reference manual CD. Adobe Acrobat Reader will start and a language selection screen will be displayed; click the appropriate link to view the manual in the desired language. Note that Adobe Acrobat Reader 4 or later is required to view the *Reference Manual*; Windows users can install Acrobat Reader 5 from the "Acrobat Reader" folder on the reference manual CD.
- **Viewing the Easy Scanning Guide**  
Double-click the *easy\_guide.exe* icon (Windows), *easy\_guide\_OSX* icon (Mac OS X), or *easy\_guide\_OS9* icon (Mac OS 9). The Macromedia Flash Player will start and a language selection screen will be displayed; click the appropriate link to view the guide in the desired language. The *Easy Scanning Guide* can also be copied to the computer hard disk for ease of reference. Copy the "easy\_guide\_main" folder and *easy\_guide.exe* (Windows), *easy\_guide\_OSX* (Mac OS X), or *easy\_guide\_OS9* (Mac OS 9) to the desktop.

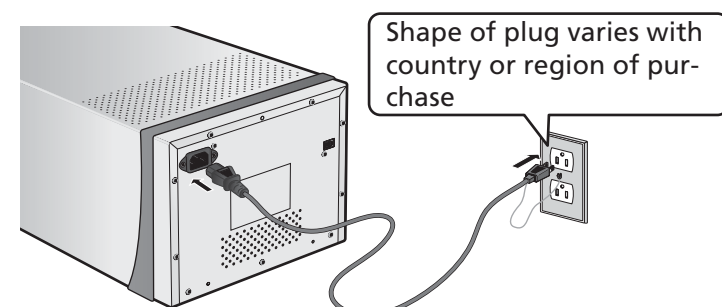
\* Users of Mac OS X should ensure that the start-up disk is named using only letters and numbers (the default name for the start-up drive is "Macintosh HD"). The guide may not start if the volume name contains punctuation or other non-alphanumeric characters.

# Scanning

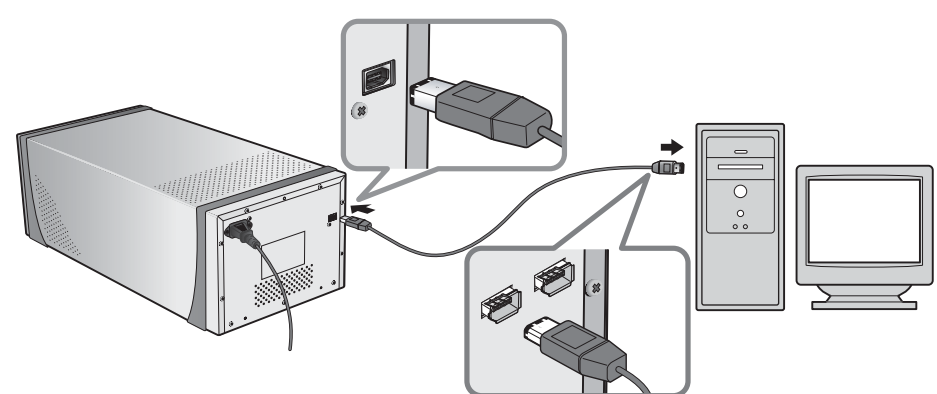
This side of the guide describes how to connect the scanner to the computer and scan images using Nikon Scan. Be sure to complete the steps on the other side of this guide before proceeding.

## Step 3 Connect the scanner

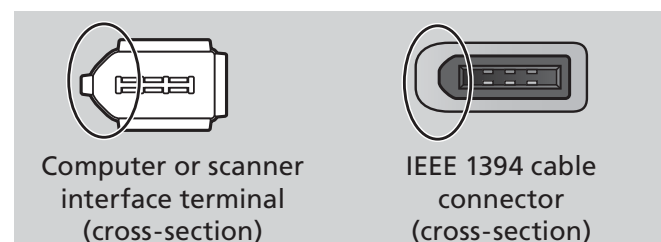
**a** After confirming that the power switch is in the off position, connect the power cable as shown and plug the scanner into a general-purpose household outlet.



**b** Connect the IEEE 1394 (Firewire) cable as shown.

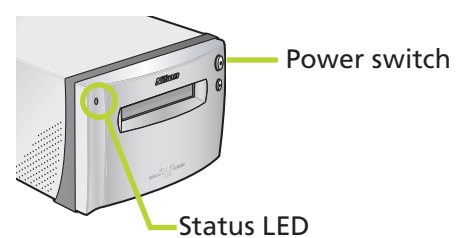


When connecting the cable, align the rounded edge of the connector with the matching curve on the scanner or computer IEEE 1394 (Firewire) interface connector (see illustration below). Using the wrong connector or attempting to insert the connectors in another orientation could not only damage the connector, but also the scanner or computer.



**Note** The supplied IEEE 1394 cable can not be connected to computers with a four-pin DV connector. Use a cable with one six-pin and one four-pin connector or a six-to-four pin adapter (sold separately).

**c** After making sure that the computer is running, press the power switch to turn the scanner on. The status LED will blink for about two minutes while the scanner initializes. Wait until the status LED glows steadily.



**Note** **Windows 2000 Professional**  
A "Digital Signature Not Found" dialog will be displayed the first time the scanner is connected and turned on. Click **Yes** to register the scanner with Windows.

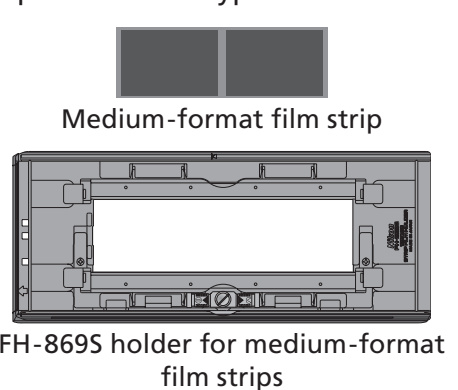
**Important** **Windows 98 SE**  
Users of Windows 98 SE may be prompted to insert the Windows 98 Second Edition CD when the scanner is connected and turned on for the first time following installation of Nikon Scan. Register the scanner with Windows as described on page 65 of the *User's Manual*.

## Step 4 Ready the film and holder

The next step is to insert film in the holder. The type of film that can be scanned depends on the holder used. This guide describes how to 6 x 7 medium-format negatives in the supplied FH-869S holder for medium-format (also known as 120/220, 2 1/4 or Brownie) film strips and 59 mm x 82 mm electron microscope film. The length of the film strip that can be inserted in the holder depends on the type of film:

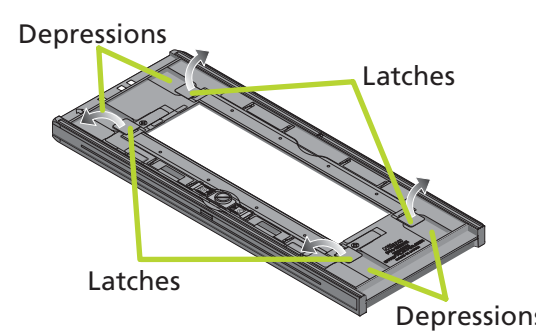
- 6 x 4.5 1-4 frames
- 6 x 6 1-3 frames
- 6 x 7-6 x 9 1-2 frames

See the *User's Manual* for information on scanning other types of film, including 35mm film strips.

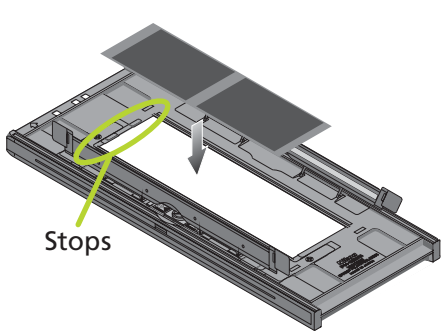


## Step 5 Place the film in the holder

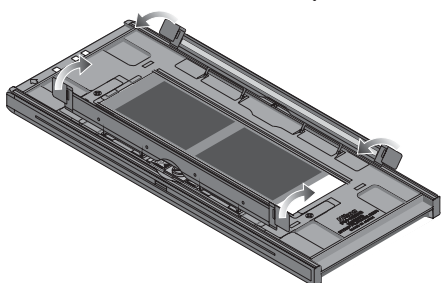
**a** Insert a finger into the depressions in the holder, release the latches, and open the holder.



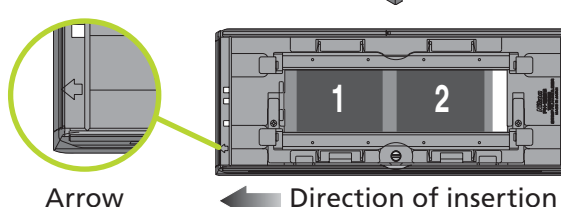
**b** Place medium-format film in the holder. Place the film with the reflective base up and the matte emulsion surface down. Make sure the film is flush with the stops.



**c** Press the covers down until they latch.



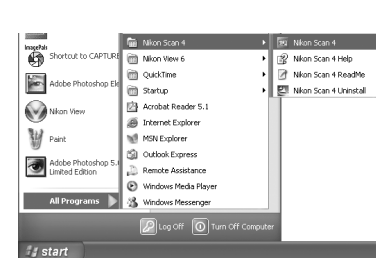
The frames will be scanned in the order shown at right.



## Step 6 Start Nikon Scan

**Windows**  
If a shortcut was created at installation, double-click the shortcut ( ) created on the desktop.

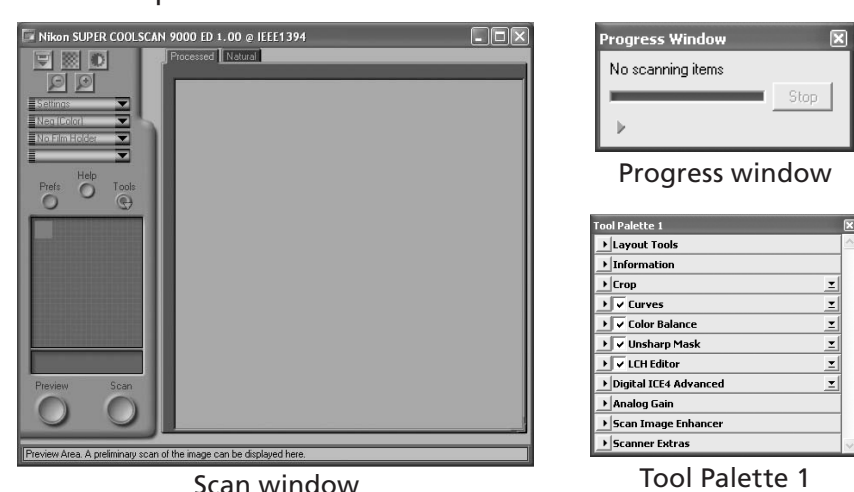
Nikon Scan can also be started by clicking the **Start** button and selecting **Nikon Scan 4 > Nikon Scan 4** from the **Programs** menu.



**Macintosh**  
Nikon Scan can be started by clicking the **Nikon Scan** icon ( ) in the Dock (Mac OS X) or double-clicking the **Nikon Scan** alias ( ) on the desktop (Mac OS 9). Note that these options are only available if Nikon Scan was added to the Dock or an alias was created during installation.

Nikon Scan can also be started by locating the folder in which Nikon Scan was installed and opening the **Nikon Software:Nikon Scan 4** folder. Double-click the **Nikon Scan 4** icon ( ). Under Mac OS X, the "Nikon Software" folder will be in the "Applications" folder on the start-up disk. Under Mac OS 9, the default install location is in the "Applications (Mac OS 9)" folder on the start-up disk.

The scan window will open.

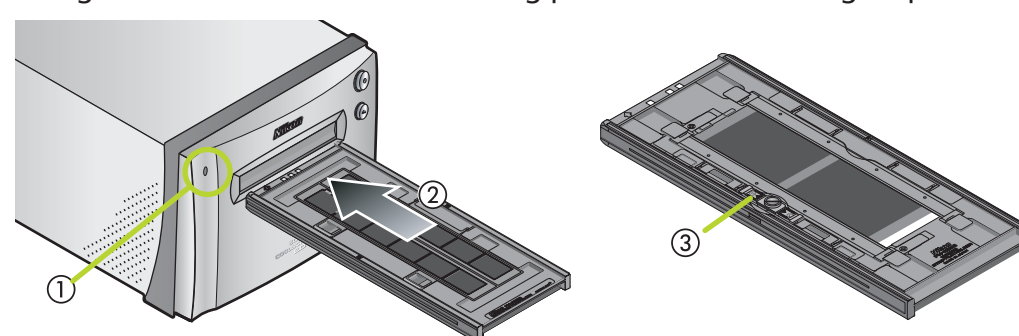


**Important** **Mac OS 9**  
Before using Nikon Scan under Mac OS 9, be sure to read the section on recommended memory allocations on page 139 of the Nikon Scan Reference Manual (on CD).

**Note** **Temporary Storage (Windows Only)**  
A message may be displayed stating that the folder selected for temporary storage is not available. Click **OK** to use the default folder.

## Step 7 Insert the holder

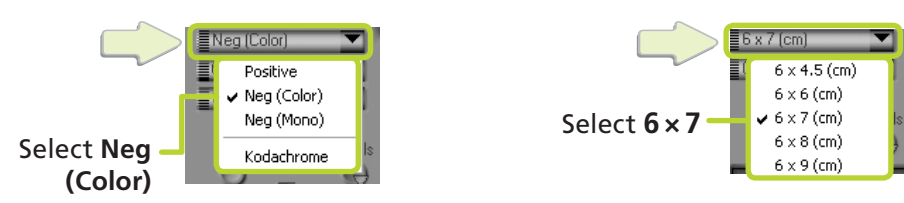
- 1 Check that the status LED has stopped blinking.
- 2 Keeping the holder straight, slide it slowly into the holder slot with the arrow up and facing toward the scanner.
- 3 Once the holder has been inserted as far as the insertion guides, the automatic loading mechanism will activate. Remove your hands from the holder when loading starts. The holder is in scanning position when loading stops.



**Important**  
• Do not use force. Failure to observe this precaution could result in damage to the holder or scanner.  
• Attempting to remove the holder during loading or otherwise interfering with the loading mechanism could cause scanning errors.

## Step 8 Scan

**a** The explanation that follows assumes that 6 x 7 negatives have been inserted in the holder. Click the film-type menu and select **Neg (Color)**, then click the frame size menu and select **6 x 7**.



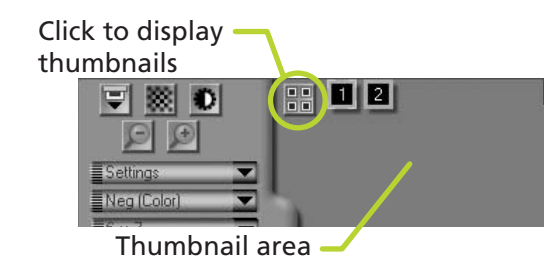
Continued above at right

**b** Select the frames to be scanned.

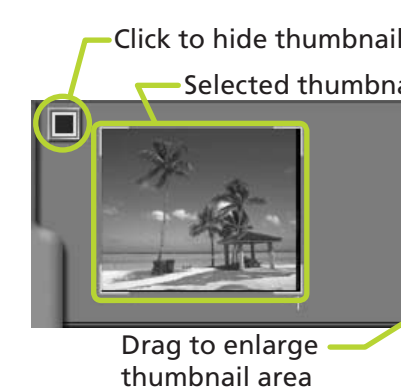
Click the thumbnail drawer tab.



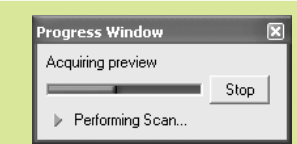
The thumbnail drawer will open. The frames in the film are identified by frame number. To view each frame as a small "thumbnail" preview, click the **Thumbnail** button.



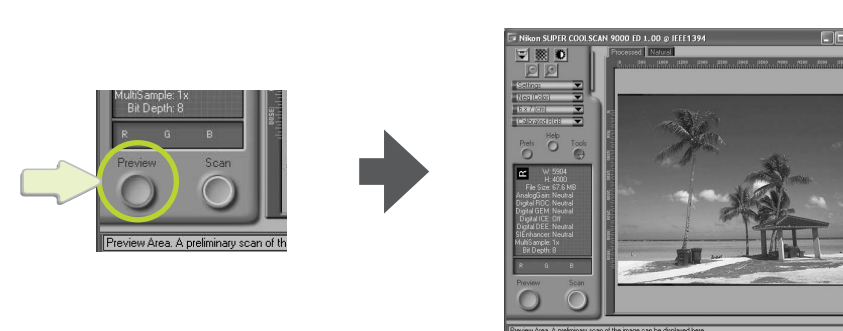
A thumbnail will be created for each frame. Click a frame to select it for preview at a larger size in the scan window preview area.



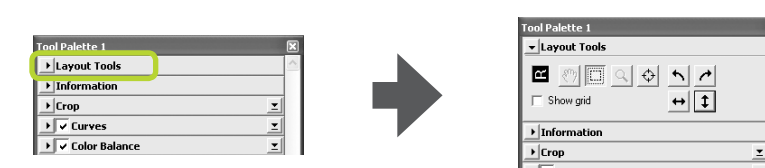
**Note** **The Progress Window**  
The "Progress" window shows the progress of preview and scan operations. Click **Stop** to cancel the current operation.



**c** Click the **Preview** button to preview the selected frame in the preview area.

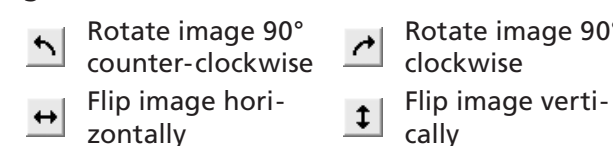


**d** Click the triangle next to the "Layout Tools" palette in Tool Palette 1. The "Layout Tools" palette will be displayed.



The "Layout Tools" palette can be used to:

• **Rotate or flip the image in the preview area**  
If the preview image is not in the desired orientation, rotate or flip the image by clicking the **Rotate**, **Flip**, or **Flip** button.



• **Select the area to be scanned**

To select the portion of the image that will be scanned (called the "crop"), click the **Crop Tool** ( ) in the "Layout Tools" palette and drag the mouse over the image.



The borders of the crop are indicated by a dotted line. The size of the crop can be changed by dragging its borders. To change the position of the crop, place the cursor inside the selected area and drag it to a new location.

For information on the other image enhancement tools in Tool Palette 1, see pages 30-76 of the *Nikon Scan Reference Manual* (on CD).

## Tip: Specifying Output Size and Resolution

When an image is displayed in the preview area, the "Crop" palette in Tool Palette 1 can be used to specify the size and resolution at which the image will be scanned (for details, see pages 36-40 of the *Nikon Scan Reference Manual* on the Nikon Scan Reference Manual / Easy Scanning Guide CD). For example, to scan an image so that it can be printed within the margins of A4 (29.7 x 21.0 cm) or letter-sized (11" x 8.5") paper using a typical inkjet printer, adjust settings as follows: printing:

- 1 Click to open the "Crop" palette.
- 2 Choose **Keep this crop**.
- 3 Choose **cm** or **inches** from the output units menu.
- 4 Enter a value for either **Height** or **Width** that will fit on A4 or letter-sized paper. The other value will automatically be adjusted to maintain the current crop.
- 5 Confirm that **pixels/inch** is selected in the resolutions units menu and enter an output resolution of **360**.

**e** Click the **Scan** button to scan the image. When scanning is complete, the image will be opened in an image window. The image in the image window will reflect any rotations, flips, and other modifications made in the scan window.



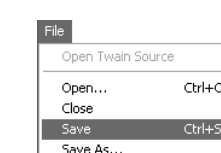
Windows



Macintosh

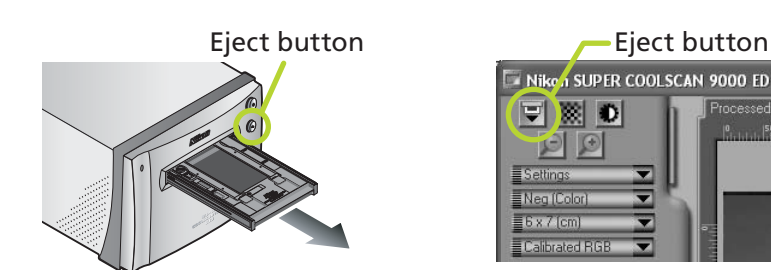
**Note** The scan window may remain open "on top" of the image window. Drag the scan window to move it out of the way of the image window.

**f** To save the image, select **Save** from the **File** menu. A "Save As" dialog will be displayed; navigate to the desired location, choose a name and file type, and click **Save**.



## Step 9 Eject the film and turn the scanner off

**a** Remove the holder from the scanner. To remove the holder, either press the eject button on the front of the scanner or click the **Eject** button ( ) in the scan window.

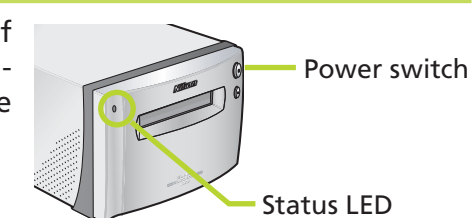


**b** Select **Exit** (Windows) or **Quit** (Mac OS 9) from the **File** menu. In Mac OS X, select **Quit Nikon Scan 4** from the **Nikon Scan 4** menu.

**c** Turn off the scanner as described below.

### Turning the Scanner Off

The procedure for turning the scanner off depends on the computer operating system. Follow the steps below to turn the scanner off.



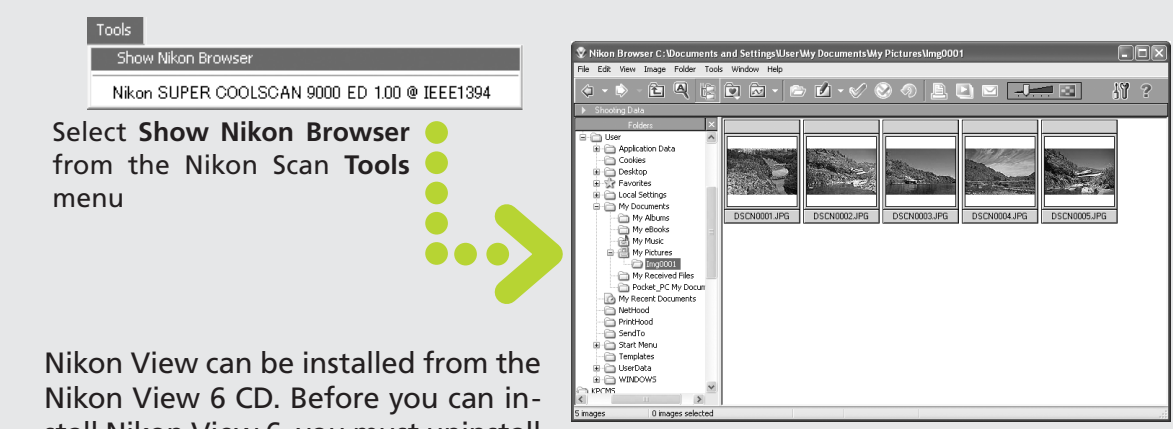
**Mac OS/Windows XP/Windows 2000 Professional**  
After checking that the status LED is not blinking, turn the scanner off by pressing the power switch.

**Windows Me**  
Shut down the computer. Once the computer has turned off, press the power switch to turn the scanner off.

**Windows 98 SE**  
Click the "Unplug or Eject Hardware" icon ( ) in the task bar and select **Stop Nikon SUPER COOLSCAN 9000 ED** from the menu that appears. A message will be displayed stating that the scanner can be safely removed from the system; click **OK** and follow the on-screen instructions to terminate communication with the scanner. Press the power switch to turn the scanner off.

## Nikon View (Nikon View 6 or later)

If Nikon View is installed on the computer, selecting **Show Nikon Browser** from the **Nikon Scan Tools** menu will start the Nikon Browser component of Nikon View. Nikon View can be used to view scanned images either as thumbnails or at full size and to edit and print images after scanning. For more information, see the *Nikon View Reference Manual* (available in pdf format on the Nikon View Reference manual CD) or Nikon View's on-line help.



Nikon View can be installed from the Nikon View 6 CD. Before you can install Nikon View 6, you must uninstall any earlier versions of Nikon View.

**Note** To register your copy of Nikon View, open the "Product Registration" panel in the "Install Center" window and click the **Product Registration** button (Internet connection required).

\* Not available in some areas.